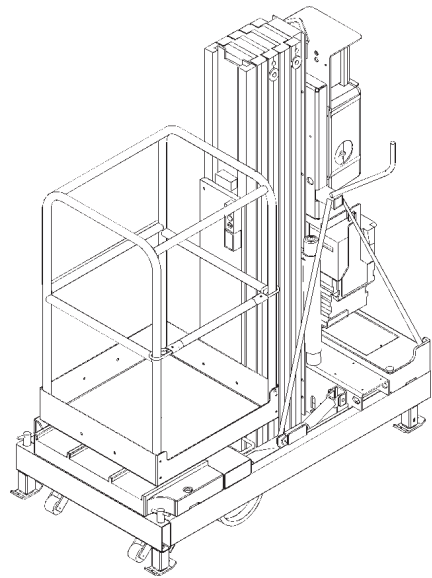


# Genie IWP Super Series Specifications

## Industrial Work



### STANDARD FEATURES

- AC or DC power options
- Wide forklift pockets
- Overhead crane attachment point
- Auxiliary platform lowering feature
- AC wiring to platform
- Locking key switch
- Most rigid mast in the industry
- Meets or exceeds ANSI A-92.3, CE and CSA safety standards

### SPECIFICATIONS

MODEL	IWP-20S		IWP-25S		IWP-30S	
	US	Metric	US	Metric	US	Metric
Height - stowed						
Base fully lowered	76 in	1.93 m	76 in	1.93 m	76 in	1.93 m
Base raised	78 in	1.98 m	78 in	1.98 m	78 in	1.98 m
Length - Standard Base	60 in	1.52 m	60 in	1.52 m	n/a	n/a
Length - Wide Base	60 in	1.52 m	60 in	1.52 m	60 in	1.52 m
Width - Standard Base	32 in	81 cm	32 in	81 cm	n/a	n/a
Width - Wide Base	40 in	1.02 m	40 in	1.02 m	40 in	1.02 m
Working height max	26 ft 5 in	8.05 m	30 ft 5 in	9.27 m	35 ft 6 in	10.82 m
Platform height max	20 ft 5 in	6.22 m	24 ft 5 in	7.44 m	29 ft 6 in	9 m
Outreach <sup>1</sup>	26 in	66 cm	n/a	n/a	n/a	n/a
Corner access <sup>2</sup>	6 in	15 cm	6 in	15 cm	7 in	18 cm
Power source - DC model	12V	12V	12V	12V	12V	12V
Power source - AC model	110V or 220V		110V or 220V		110V or 220V	
Lift capacity- Standard and Wide Base						
ANSI, CE	350 lb	159 kg	350 lb	159 kg	350 lb	159 kg
CSA	300 lb	136 kg	300 lb	136 kg	n/a	n/a
Lift capacity with outreach option - Standard and Wide Base						
ANSI, CE, CSA	300 lb	136 kg	n/a	n/a	n/a	n/a
Machine weight - Standard Base (AC/DC)						
ANSI	1,028/1,112 lb		1,331/1,415 lb		n/a	n/a
CE	466/504 kg		604/642 kg		n/a	n/a
CE	1,283/1,367 lb		1,331/1,415 lb		n/a	n/a
CE	582/620 kg		604/642 kg		n/a	n/a
Machine weight with outreach - Standard Base (AC/DC)						
ANSI, CE	1,348/1,432 lb		n/a	n/a	n/a	n/a
ANSI, CE	611/650 kg		n/a	n/a	n/a	n/a
Machine weight - Wide Base (AC/DC)						
ANSI	1,086/1,170 lb		1,134/1,218 lb		1,146/1,362 lb	
ANSI	493/531 kg		514/552 kg		520/618 kg	
CE	1,283/1,367 lb		1,114/1,198 lb		1,146/1,362 lb	
CE	582/620 kg		505/543 kg		520/618 kg	
CSA	1,266/1,350 lb		1,644/1,728 lb		n/a	
CSA	574/612 kg		746/784 kg		n/a	
Machine weight with outreach - Wide Base (AC/DC)						
ANSI	1,199/1,283 lb		n/a	n/a	n/a	n/a
ANSI	544/582 kg		n/a	n/a	n/a	n/a
CE	1,348/1,432 lb		n/a	n/a	n/a	n/a
CE	611/650 kg		n/a	n/a	n/a	n/a
CSA	1,331/1,415 lb		n/a	n/a	n/a	n/a
CSA	604/642 kg		n/a	n/a	n/a	n/a
<b>PLATFORM DIMENSIONS (L x W x H)</b>						
Standard Platform			27 x 26 x 44 ¾ in		69 cm x 66 cm x 1.14 m	
Gated Standard Platform			27 x 26 x 44 ¾ in		69 cm x 66 cm x 1.14 m	
Gated Ultra-Narrow Platform			22 x 18 x 44 ¾ in		56 cm x 46 cm x 1.14 m	
Gated Narrow Platform			26 x 20 x 44 ¾ in		66 cm x 51 cm x 1.14 m	
Standard Fiberglass Platform			29 x 26 ½ x 43 ½ in		74 cm x 67 cm x 1.1 m	
Narrow Fiberglass Platform			26 x 22 x 43 ½ in		66 cm x 56 cm x 1.1 m	

# Genie Industries

<sup>1</sup> Gated Ultra Narrow and Fiberglass Platforms not available with Outreach option.

<sup>2</sup> Corner of platform top rail to corner of wall with ability to rotate leveling jack handle.

**USA** 18340 NE 76th Street  
P.O. Box 97030  
Redmond, Washington 98073-9730  
Telephone (425) 881-1800  
Toll Free USA/Canada 800-536-1800  
Fax (425) 883-3475  
<http://www.genielift.com>

**UK** The Maltings, Wharf Road  
Grantham  
Lincolnshire NG31 6BH  
Telephone (44) 01476-584333  
Fax (44) 01476-584334  
<http://www.genielift.com>

Continuous improvement of our products is a Genie policy. Product specifications are subject to change without notice or obligation. The drawings in this brochure are for illustrative purposes only. Refer to the appropriate Genie IWP Super Series Operator's Manual for instructions on the proper use of this equipment. Failure to follow the appropriate Operator's Manual when using a Genie IWP Super Series, or to otherwise act irresponsibly, may result in serious injury or death. Copyright © 1997 by Genie Industries. "Genie" is a Registered Trademark of Genie Industries in the USA and many other countries. "IWP" is a Registered Trademark and "Super Series" is a Trademark of Genie Industries. Genie is the owner of US Patents: 5,337,858; 5,755,306; 6,095,286 and Patents Pending. 1-30-01